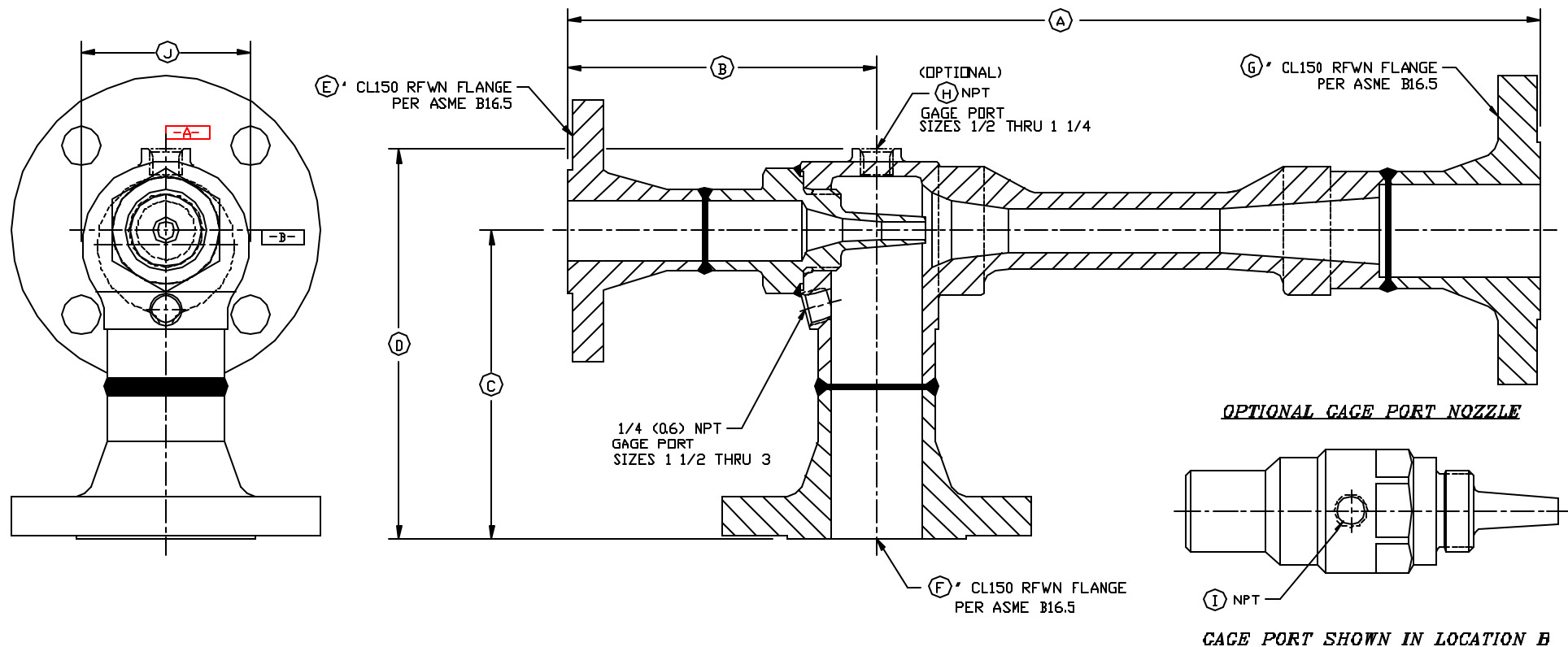


MATERIAL: SEE B/M		 CLARK-RELIANCE CORP. STRONGSVILLE, OHIO, U.S.A.	ASSEMBLY EDUCTORS STANDARD WN FLANGE CONNECTIONS	Section: E400
DRAWN: FWK	CHECKED:			Bulletin: E400 02
SCALE: NONE	DATE: 04/16/08			Date: 4/16/08
				Supersedes: NEW
				FILE NO.: E400-02.DWG



STANDARD CAST UNIT

MODEL	SIZE	INCHES (mm)												NOZZLE GAGE PORT ANGULAR LOCATION
		A		B		C	D	E	F	G	H	I	J	
		W/STANDARD NOZZLE	W/GAGE PORT NOZZLE	W/STANDARD NOZZLE	W/GAGE PORT NOZZLE									
SL	1/2	8.375 (212.7)	9.875 (250.8)	3.582 (90.4)	5.062 (128.5)	3.188 (81.0)	3.938 (100.0)	1/2 (12.7)	1/2 (12.7)	1/2 (12.7)	1/8 (3.1)	1/8 (3.1)	1.250 (31.8)	B
ML,HL,SG,HC,MLH,MLE								1/2 (12.7)						
SL	3/4	8.938 (228.4)	11.938 (303.2)	3.938 (100.0)	5.888 (149.4)	3.625 (92.0)	4.500 (114.3)	1/2 (12.7)	3/4 (19.0)	3/4 (19.0)	1/4 (6.3)	1/8 (3.1)	1.500 (38.1)	B
ML,HL,SG,HC,MLH,MLE								1/2 (12.7)						
SL	1	11.312 (287.3)	13.312 (338.1)	4.188 (106.3)	6.188 (157.1)	4.000 (101.6)	5.000 (127.0)	1/2 (12.7)	1 (25.4)	1 (25.4)	1/4 (6.3)	1/8 (3.1) *	1.750 (44.4)	B
ML,HL,SG,HC,MLH,ULJ,MLE								3/4 (19.0)						
SL			11.600 (292.1)	13.600 (342.9)	4.375 (111.1)	6.375 (161.9)	4.000 (101.6)	5.000 (127.0)	1/2 (12.7)	1 (25.4)	1 (25.4)	1/4 (6.3)	1/8 (3.1) *	1.750 (44.4)
ML,HL,SG,HC,MLH,ULJ,MLE		13.438 (341.3)	15.888 (403.4)	4.825 (117.4)	6.875 (174.6)	4.562 (115.9)	5.688 (144.4)	3/4 (19.0)	1 1/4 (31.8)	1 1/4 (31.8)	1/4 (6.3)	1/4 (6.3) *	2.250 (57.1)	B
SL	1 1/4	13.562 (344.8)	15.812 (401.6)	4.750 (120.7)	7.000 (177.8)	4.562 (115.9)	5.688 (144.4)	1 (25.4)	1 1/4 (31.8)	1 1/4 (31.8)	1/4 (6.3)	1/4 (6.3) *	2.250 (57.1)	B
ML,HL,SG,HC,MLH,ULJ,MLE			15.750 (400.0)	18.250 (463.6)	5.000 (127.0)	7.500 (190.5)	5.000 (127.0)	6.188 (157.1)	1 (25.4)	1 1/2 (38.1)	1 1/2 (38.1)	-	1/4 (6.3) *	2.750 (69.9)
SL,ML,SG,HC,MLH,MLE	1 1/2	15.812 (401.6)	18.312 (465.1)	5.062 (128.6)	7.582 (192.1)	5.000 (127.0)	6.188 (157.1)	1 1/4 (31.8)	1 1/2 (38.1)	1 1/2 (38.1)	-	1/4 (6.3) *	2.750 (69.9)	A
HL,ULJ			19.250 (488.9)	22.250 (565.1)	5.438 (138.1)	8.438 (214.3)	5.582 (141.2)	7.000 (177.8)	1 1/4 (31.8)	2 (50.8)	2 (50.8)	-	1/4 (6.3) *	3.582 (90.4)
SL,ML,SG,HC,MLH,MLE	2	19.438 (493.7)	22.438 (569.9)	5.825 (142.9)	8.825 (219.1)	5.582 (141.2)	7.000 (177.8)	1 1/2 (38.1)	2 (50.8)	2 (50.8)	-	1/4 (6.3) *	3.582 (90.4)	A
HL,ULJ			23.438 (595.3)	26.938 (684.2)	6.000 (152.4)	9.500 (241.3)	6.838 (176.2)	8.812 (223.8)	1 1/2 (38.1)	2 1/2 (63.5)	2 1/2 (63.5)	-	1/4 (6.3) *	4.750 (120.7)
SL,ML,SG,HC,MLH,MLE	2 1/2	23.500 (596.9)	27.000 (685.8)	6.062 (154.0)	9.582 (242.8)	6.838 (176.2)	8.812 (223.8)	1 1/2 (38.1)	2 1/2 (63.5)	2 1/2 (63.5)	-	1/4 (6.3) *	4.750 (120.7)	A
HL,ULJ			23.500 (596.9)	27.000 (685.8)	6.062 (154.0)	9.582 (242.8)	6.838 (176.2)	8.812 (223.8)	2 (50.8)	2 1/2 (63.5)	2 1/2 (63.5)	-	1/4 (6.3) *	4.750 (120.7)
SL,ML,HL,SG,HC,MLH,ULJ,MLE	3	29.250 (742.9)	33.250 (844.8)	6.582 (166.7)	10.562 (268.2)	7.812 (198.4)	10.125 (257.1)	2 (50.8)	3 (76.2)	3 (76.2)	-	1/4 (6.3) *	8.062 (154.0)	A

* ULJ IS 1/8